

SUBMITTAL SHEET

| | |
|-------------------|-------------|
| JOB NAME | ITEM TAG |
| JOB LOCATION | PART NUMBER |
| CONTRACTOR | DATE |
| ENGINEER APPROVAL | DATE |

LEAD-FREE BRONZE FULL PORT BALL VALVE

T/S-901NL

Lead-free design is suitable for all no-lead potable water installations, in full compliance of all lead-free plumbing laws.

Bottom-loaded, blowout-proof stem with Teflon* packing gland and forged brass packing nut.

Durable Teflon* seats.

Self-cleaning forged brass ball is chrome-plated, to resist scale build-up.

Available in: female pipe threaded sizes: 1/4" to 3"
female sweat tubing sizes: 1/2" to 2"

Working Pressure, Non Shock (PSI)

Cold working pressure (CWP): 1/4" - 2" 600 p.s.i.
2-1/2" and 3" 400 p.s.i.

Saturated steam (WSP): All sizes: 150 p.s.i.

- Third-party tested and certified in compliance with U.S. Federal Public Law 111-380 (National Lead-Free Plumbing Law).
- Truesdail Labs certified to ANSI / NSF 61-G: Meets NSF372 lead content requirements.
- Conforms to MSS SP-110
- End connections comply with:
ANSI / ASME B1.20.1 (FNPT)
ANSI / ASME B16.18 (CTS Sweat)
- Manufactured in an ISO accredited facility.



**Pictured:
T-901NL**



MATERIAL SPECIFICATION

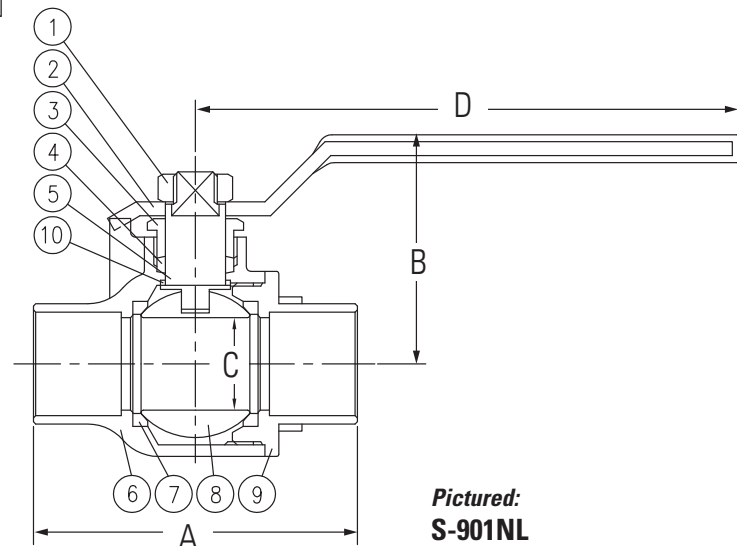
| PART | MATERIAL | SPECIFICATION |
|------------------|--------------------------------------|---------------------|
| 1 Handle nut | Steel | AISI 1010 |
| 2 Handle | Steel | ASTM A 283 D |
| 3 Packing nut | Forged brass | ASTM B16 UNS C36000 |
| 4 Stem packing | PTFE | Teflon* |
| 5 Stem | Lead-free forged brass | UNS Alloy C46400 |
| 6 Body | Lead-free cast bronze | UNS Alloy C89844 |
| 7 Seats (2) | PTFE | Teflon* |
| 8 Ball | Chrome-plated lead-free forged brass | UNS Alloy C46400 |
| 9 End adapter | Cast bronze | UNS Alloy C89844 |
| 10 Thrust washer | PTFE | Teflon* |

*Teflon is a registered trademark of DuPont.

DIMENSIONS

| Size | A (IPS) | A (CxC) | B | C | D | CV** |
|--------|---------|---------|------|------|------|--------|
| 1/4" | 1.81 | - | 1.46 | 0.39 | 3.31 | 7.68 |
| 3/8" | 1.81 | - | 1.46 | 0.39 | 3.31 | 7.80 |
| 1/2" | 2.17 | 1.93 | 1.54 | 0.50 | 3.31 | 10.00 |
| 3/4" | 2.56 | 2.76 | 1.97 | 0.79 | 4.65 | 26.00 |
| 1" | 2.95 | 3.31 | 2.13 | 0.98 | 4.65 | 48.00 |
| 1-1/4" | 3.43 | 3.78 | 2.60 | 1.26 | 5.28 | 70.00 |
| 1-1/2" | 3.74 | 4.29 | 2.76 | 1.50 | 5.28 | 105.00 |
| 2" | 4.37 | 5.39 | 3.46 | 1.97 | 7.87 | 200.00 |
| 2-1/2" | 5.35 | - | 3.86 | 2.48 | 7.87 | 380.00 |
| 3" | 6.06 | - | 4.17 | 2.95 | 7.87 | 520.00 |

**The CV Factor is the gallons of water per minute passed through the valve with a 1 PSI pressure drop.



**Pictured:
S-901NL
Cut-away view**