

10" Rough-in

Features:

□ UL-20-311

- Vitreous china
- High Efficiency 1.0 GPF (3.8 LPF)
- Elongated Bowl
- 10" Rough-In
- Pressure Vessel Inside
- Dual fed siphon jets
- Fully glazed, 2" trapway
- Non-Sweating insulated tank
- Chrome, Metal Front Tank Lever
- 2 Color Matched Bolt Caps Included
- Toilet seat not included



Technical Information:

Included Components:

- Combination UL-20-311
- Bowl UF-21-372
- Tank UF-28-385

Other Tank Options: (bowl to be purchased separately)
N/A

Fixtures:

| | |
|---------------------|-----------------------------|
| Configuration | Two-piece, Elongated Toilet |
| Water per Flush | 1.0 gpf (3.8 lpf) |
| Rough-In | 10" |
| Height | 29" |
| Width | 20 1/16" |
| Depth | 27 13/16" |
| Trapway | 2" |
| Large Water Surface | 8 11/16" x 6 5/16" |
| Shipping Weight | 88 lbs |

Accessories: (to be purchased separately)

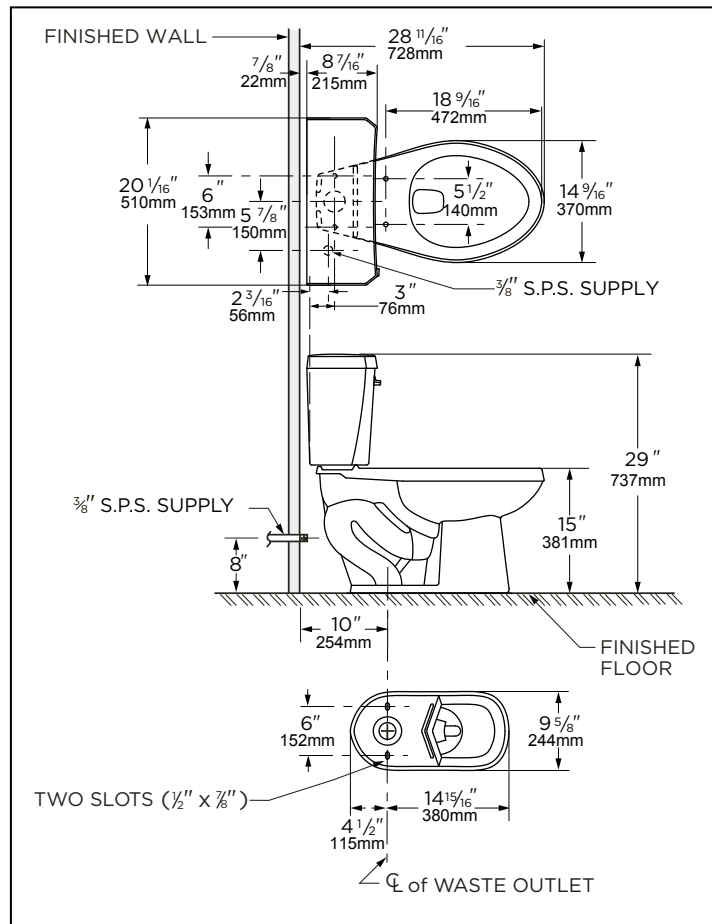
| | |
|-------------------------|--------|
| Soft Closed Toilet Seat | 99-213 |
|-------------------------|--------|

Colors:

- White
- Other: Refer to Price Book for additional colors

Warranty:

- Limited Lifetime Warranty - see website for detailed warranty information



NOTES: All dimensions are in inches and millimeters. Illustrations may not be drawn to scale.

IMPORTANT:
Dimensions of fixtures are nominal and may vary within the range of tolerances established by ASME standard A 112.19.2
THIS FIXTURE QUALIFIES ACCORDING TO ASME TEST PROCEDURES AS A HIGH-EFFICIENCY WATER CLOSET WITH AN AVERAGE CONSUMPTION OF 1.0 gpf (3.8 Lpf) OR LESS.