

Infiniti® GR

Tankless Gas Condensing Water Heater With Recirculation



This model features:

- **ENERGY STAR® Qualified.**
- **Residential and Commercial Application.**
- **Indoor and Outdoor Installation** (requires outdoor installation kit).
- **Stainless Steel Heat Exchanger.**
- **Bottom Water Connections.**
- **Built-in Recirculation Pump and Dedicated Recirculation Connection.**
- **Temperature Setting**—95°F (35°C) to 140°F (60°C).
- **AHRI Certified.**
- **0.95 UEF.**
- **Ultra Low NOx System**—Exceeds the most stringent NOx regulations.
- **Low Lead Compliant with NSF/ANSI 372.**
- **Easy Installation Options:**
 - **Compatible with 1/2" (12.7mm) Gas Pipe up to 24 ft. (7.32m).**
 - **Compatible with 2" (50.8mm) PVC Vent up to 60 ft. (18.3m) or 3" (76.2mm) up to 150 ft. (45.7m).**
 - **Vent with PVC, CPVC, Stainless Steel or Polypropylene.**
 - **Supports Direct Vent, Unbalanced Vent or Outdoor Vent Cap.**
- **Commercial Application Features:**
 - **Cascade up to 2 Units.**
 - **Common Venting.**
 - **Free Standing Rack System.**
- **Service Friendly Features:**
 - **Air Filter and Inlet Water Filter**—Mounted outside of cabinet for easy access and servicing.
 - **Gasket Kit Included.**

FEATURING:



Sample Specification

Condensing gas tankless wall-mounted water heater(s) shall be Infiniti® GR Series model _____, which are certified by ETL to the latest edition of ANSI standard Z21.10.3/CSA 4.3. This water heater shall have a built-in digital control for temperature adjustment. This water heater shall have a built-in recirculation pump and dedicated recirculation connection. Water heater(s) shall be designed to burn natural gas or propane. Water heater(s) with rated input of _____ BTU/Hr. (kW) shall have a nominal flow rate capacity of _____ GPM/GPH (LPM/LPH) at _____ °F (°C) rise. Water heater(s) shall have a 11:1 Turndown ratio. Water heater(s) is rated for 150 PSI (1034 kPa) working pressure and 300 PSI (2068 kPa) test pressure. Natural gas supply pressure shall be 3.5" (89mm) to 10.5" (267mm) WC and propane gas supply pressure shall be 8.0" (203mm) to 14.0" (356mm) WC. The minimum input for natural gas and propane shall be 18,000 BTU/Hr. (5.3kW). Water heater(s) shall have a dual heat exchanger with stainless steel primary and secondary. Water heater(s) shall have 3/4" (19mm) inlet gas connection with flexibility of utilizing a 1/2" (12.7mm), 3/4" (19mm) or 1" (25.4mm) gas line. Water heater shall have a filtered 3/4" (19mm) inlet and 3/4" (19mm) outlet water connections. Indoor installation model shall have the water connection on the bottom of the heater. Outdoor installation should be available with the outdoor installation kit. Water heater(s) shall be vented with 2" (50.8mm) PVC/CPVC/polypropylene vent pipe at a distance not to exceed 60 ft. (18.3m) (or equivalent) with each elbow equal to 8 ft. (2.4m) of pipe length or 3" (76.2mm) PVC/CPVC/ polypropylene vent pipe at a distance 150 ft. (45.7m) (or equivalent) with each elbow equal to 5 ft. (1.5m) of pipe length. Water heater(s) shall have 15-year limited Heat Exchanger warranty and 5-year limited Parts warranty (8-year Heat Exchanger and 5-year Parts for commercial use) per Bradford White Limited Warranty.

Dimensions and specifications subject to change without notice in accordance with our policy of continuous product improvement.



15-Year Residential Heat Exchanger Warranty.*
5-Year Parts Warranty.*

For more information on warranty, please visit www.bradfordwhite.com
For products installed in USA, Canada, and Puerto Rico.

*See complete copy of the warranty included with the heater for limitations.

SIZING DATA

Model	Configuration	Gas Type	Max. Input		Min. Input		Turndown Ratio	Uniform Energy Factor
			MBH	kW	MBH	kW		
RTGR199N1	Recirculation	Natural Gas	199	58.3	18	5.3	11:1	0.95
RTGR199X1	Recirculation	Propane	199	58.3	18	5.3	11:1	0.95

Model	Water Connection Size	Gas Connection Size	Product Weight		Shipping Weight	
			lbs.	kg.	lbs.	kg.
RTGR199N1	3/4" NPT	3/4" NPT	85	39	96	44
RTGR199X1	3/4" NPT	3/4" NPT	85	39	96	44

DOMESTIC HOT WATER CAPACITY

35°F Temp Rise		45°F Temp Rise		77°F Temp Rise		Minimum Water Flow	
GPM	l/m	GPM	l/m	GPM	l/m	GPM	l/m
11.1	42	8.7	33	5.1	19	0.5	1.9

CLEARANCES

Location	For Installation From Non-Combustible and Combustible Surfaces		Suggested Service Clearances	
	in.	cm.	in.	cm.
Top	10	25	18	46
Back	1	2.5	1	2.5
Front	4	10	40	101
Side	4	10	8	20
Bottom	10	25	24	61

ELECTRICAL DATA

Model	Power Supply		Power Consumption		
	Main Supply	Max Current	Standby	Operation	Anti Freeze
RTGR199N1	120V 60Hz	Less than 2A	2.7W	188W	117W
RTGR199X1	120V 60Hz	Less than 2A	2.7W	188W	117W

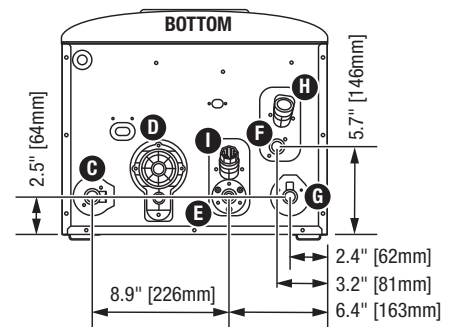
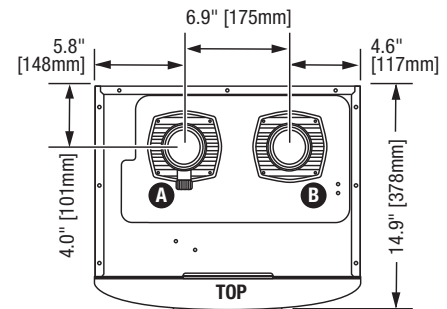
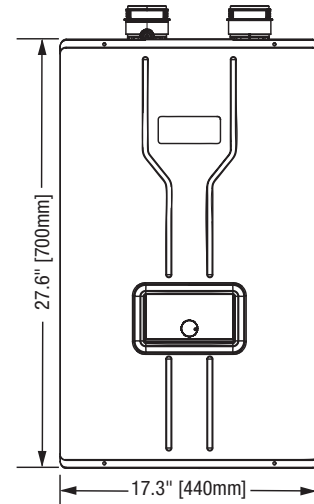
VENTING SYSTEM

2" (50.8mm) Combustion Air / Vent Pipe		Maximum Number of Elbows	3" (76.2mm) Combustion Air / Vent Pipe	
Maximum Equivalent Length*			Maximum Equivalent Length*	Maximum Number of Elbows
ft.	m.	5	ft.	m.
60	18		150	45
			8	

* For each elbow, reduce maximum allowable length:
 5 ft (1.5m) for each 3" 90° elbow 8 ft (2.4m) for each 2" 90° elbow
 3 ft (0.9m) for each 3" 45° elbow 4 ft (1.2m) for each 2" 45° elbow

DIMENSIONAL DATA

Recirculation Model RTGR199N1 and RTGR199X1		
Location	Description	Size
A	Exhaust	2" PVC
B	Air Intake	2" PVC
C	Hot Water Connection	3/4" NPT
D	Condensate	1/2" NPT
E	Recirculation Return Connection	3/4" NPT
F	Cold Water Connection	3/4" NPT
G	Gas	3/4" NPT
H	Cold Water Filter	—
I	Recirculation Return Filter	—



— BRADFORD WHITE IS —



Sales: 800-523-2931 • Fax 215-641-1612

24/7 Technical Support: 800-334-3393 • Email techserv@bradfordwhite.com

Products made by Bradford White are manufactured in the United States using the finest raw materials and components from around the world.

Built to be the Best®